

More airlines fly with CartMaster.

1.100"

3.985" +/- .015



DARNELL-ROSE

division **ERI** Evans Industries, Inc.

The Airline Industry's Caster of Choice

Darnell-Rose CartMaster outperforms every other brand tested by a wide margin. Its incredible strength and durability are two reasons why CartMaster is the only galley cart caster on the market with an FAA PMA (Parts Manufacturer Approval.) In addition, CartMaster wheels meet flammability testing in accordance with applicable FAA/FAR regulations. CartMaster's patented design makes brake adjustment, wheel replacement, lubrication and damaged swivels a thing of the past. Carts equipped with CartMaster casters swivel and roll easily.

Specially designed Neoprene wheels reduce expensive cart damage by absorbing shock on both carpeted and non-carpeted surfaces. Tests prove that CartMaster lasts 5 to 10 times longer than ordinary wheels used in competitive casters.

The CartMaster fits nearly all existing meal and beverage carts in today's fleets, and with CartMaster original and CartMaster stainless steel to choose from, it's no wonder more and more airlines are taking off with CartMaster on their inflight service carts.

FAA PMA
PQ2208NM Contact factory for
current CartMaster FAA PMA
supplement sheet.



Stainless Steel CartMaster

The stainless steel CartMaster includes all the features of the original CartMaster, plus complete stainless steel construction, making it even more resistant to rough surfaces, rough treatment, and corrosive cleaning processes.



Original CartMaster

The CartMaster by Darnell-Rose is a maintenance free caster that will greatly reduce the high cost of

expensive caster replacement and installation. Features include adjustable brake pin; corrosion resistant clear or yellow zinc chromate finish; gray non-marking wheels; threadguards preventing floor debris from snagging wheels; soft, shock-absorbing Neoprene tread; two layer inner core adds strength in support; ball bearings requiring less effort to push/pull cart through narrow aisles; and a universal mounting plate that installs easily on nearly all carts.



Single Wheel Rigid CartMaster

Designed specifically for a major U.S. airline, this single wheel rigid braking caster exemplifies the Darnell-Rose ability to custom design. Our engineering capabilities and vertical integration mean we can manufacture virtually any caster in any application.

Ready for boarding.

When you specify Darnell-Rose, you get more than a single source for a full line of high quality casters and wheels, you get the reassurance that comes from nearly 80 years of industry leadership.

Committed to quality, Darnell-Rose is an ISO 9001 certified company with an FAA approved Fabrication Inspection System (FIS). Every Darnell-Rose product is 100% American made by American craftsmen, who use U.S. suppliers for FAA traceable raw materials and purchased components. Plus all Darnell-Rose casters and wheels are performance-tested under extreme conditions.

Darnell-Rose wheels and casters are distributed internationally, and all Darnell-Rose products are backed by a Limited Warranty.



CartMaster's new all-stainless steel assembly—yoke, top plate, threadguards, swivel bearing, pin, spring and rivet—stands up to the toughest shock loads and harshest, most caustic cleaning solutions, so corrosion is never a problem.

-
- Center brake mechanism is pre-adjusted at factory.
 - No-seam design under mounting plate keeps dirt and chemicals from working their way in and causing malfunctions.
 - Heavy-duty four-sided double ball bearing raceway with two rows of stainless steel ball bearings maintains swiveling ability even after extreme shock loads.
 - Gray Neoprene wheels are carbon-free and non-marking. Unique design helps prevent premature wear of aircraft structural flooring.
 - Complete stainless steel construction eliminates corrosion from caustic cleaning solvents and processes.
 - Raceway Full Protective Cover guards against FOD and has strategically placed access port for maintenance lubrication.
 - Double layer hard inner core adds strength to support heavy loads up to 500 lbs.
 - Heat-treated caster assembly withstands severe shock loads without failure.
 - Threadguards prevent floor debris from snagging wheels and interfering with service.
 - Ball bearings require least effort to push/pull cart through crowded aisles.

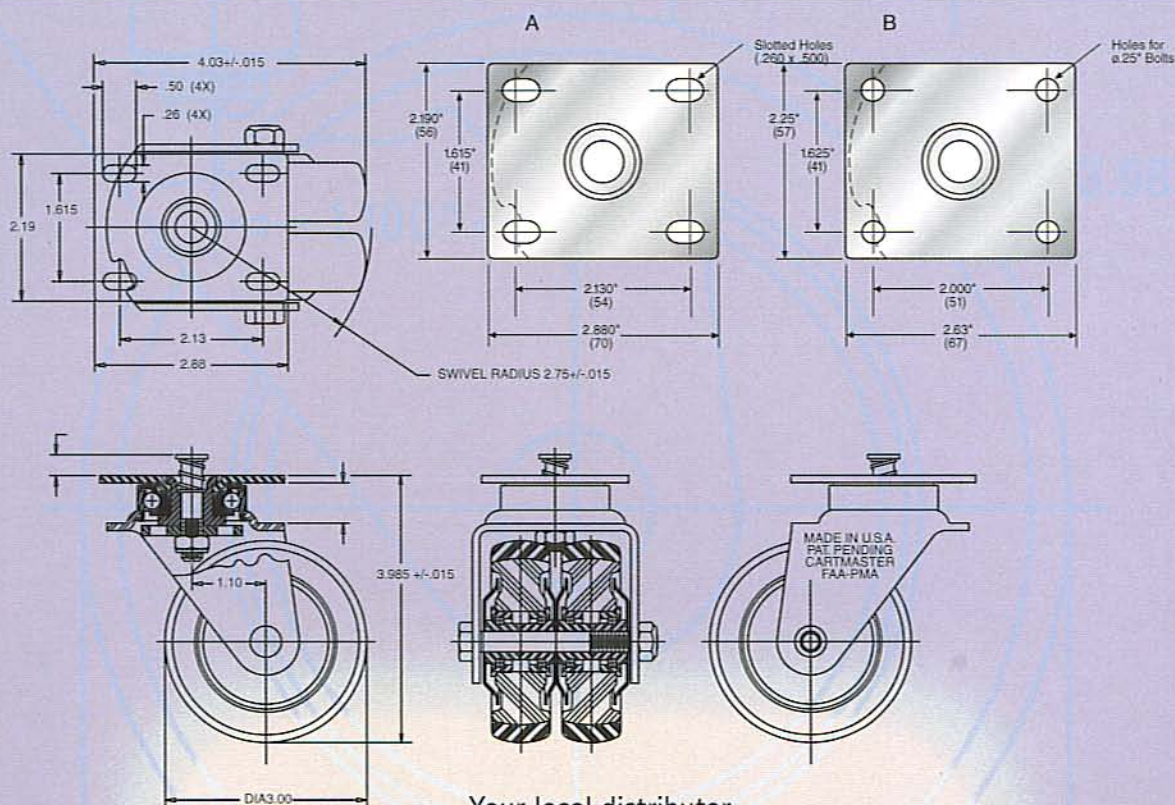
Stainless Steel CartMaster

CartMaster Swivel Casters

Diameter	Tread Width	Load Capacity	Brake Pin Height Inches (mm)	Part Number	Approx. Weight Pounds (kg)	Overall Height	Swivel Radius Inches (mm)	Top Plate	Finish
3 (76.2 mm) each wheel	7/8 (22.23 mm) each wheel	200 lbs (90 kg)	.312 (7.92)	621050	1.72 (.78)	3.985 (101.22 m)	2.6 (66.04)	A	Bright Zinc
			(Non-Brake)	621050-02	1.62 (.74)		2.6 (66.04)	A	Bright Zinc
			.295 (7.49)	621050-03	1.72 (.78)		2.6 (66.04)	A	Yellow Zinc Chromate
			.375 (9.53)	621050-04	1.72 (.78)		2.6 (66.04)	A	Bright Zinc
			.220 (5.59)	621050-05	1.72 (.78)		2.6 (66.04)	A	Bright Zinc
			.118 (3.00)	621050-06	1.72 (.78)		2.6 (66.04)	A	Yellow Zinc Chromate
			.312 (7.92)	621050-07	1.72 (.78)		2.6 (66.04)	A	Yellow Zinc Chromate
			(Non-Brake)	621050-08	1.62 (.74)		2.6 (66.04)	A	Yellow Zinc Chromate
			.270 (6.86)	621050-09	1.72 (.78)		2.4 (60.96)	A	Yellow Zinc Chromate
			.330 (8.38)	621050-10	1.70 (.77)		2.6 (66.04)	B	Bright Zinc

CartMaster Rigid Casters

Diameter	Tread Width	Load Capacity	Brake Pin Height Inches (mm)	Part Number	Approx. Weight Pounds (kg)	Overall Height	Swivel Radius Inches (mm)	Top Plate	Finish
3 (76.2 mm)	1 1/4 (31.75 mm)	200 lbs (90 kg)	.138 (3.51)	621923	1.18 lb (.535 kg)	4.105 (104.3 mm)	(none)	A	Yellow Zinc Chromate
			.335 (7.92)	621923-02					



Your local distributor-

For more information or a free CartMaster video, contact the Darnell-Rose sales department.



DARNELL-ROSE
Division of Evans Industries, Inc.

17915 Railroad Street, City of Industry, CA 91748

Call toll free: 1-800-DAR-NELL (1-800-327-6355) • Tel: 626-912-1688 • Fax: 626-912-3765

Visit our Website: www.casters.com • e-mail: sales@casters.com